



Kai Giu Enterprise Co., Ltd.

3F-2, No. 490, Ta Chin St., NanTun Dist., Taichung city 408, Taiwan
Tel: 886-4-23292393 Fax: 886-4-23292391 Email: kaigiu@ms55.hinet.net

CLUTCH BOOSTER ASSEMBLY INDEX



KAI GIU SUPPLIES:

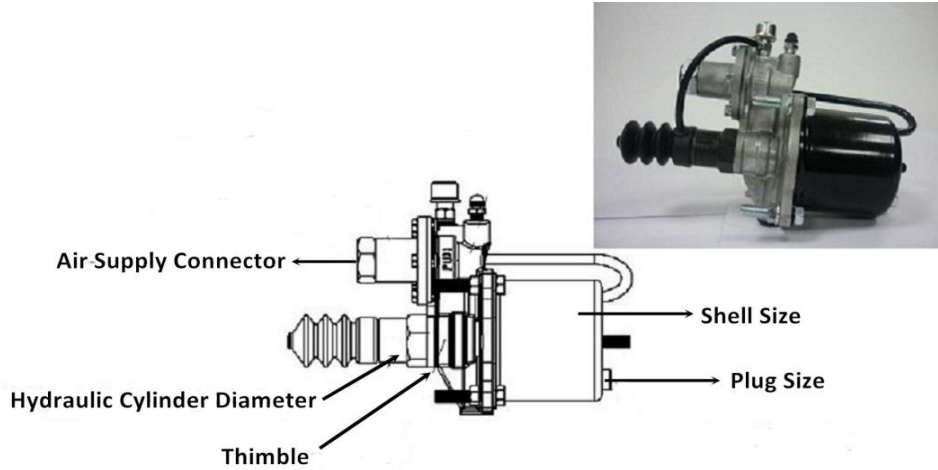
1. 70 MM ALUMINUM BODY
2. 70 MM IRON BODY
3. 90 MM ALUMINUM BODY
4. 90 MM IRON BODY
5. 90 MM IRON BODY, LONG
6. 105 MM IRON BODY, SINGLE HOLE
7. 105 MM IRON BODY, DOUBLE HOLE
8. 105 MM IRON BODY, DOUBLE HOLE, TWO SILENCERS
9. 105 MM IRON BODY, LONG
10. 105 MM IRON BODY, SEPARATE



Kai Giu Enterprise Co., Ltd.

3F-2, No. 490, Ta Chin St., NanTun Dist., Taichung city 408, Taiwan
Tel: 886-4-23292393 Fax: 886-4-23292391 Email: kaigiu@ms55.hinet.net

CLUTCH BOOSTER ASSEMBLY



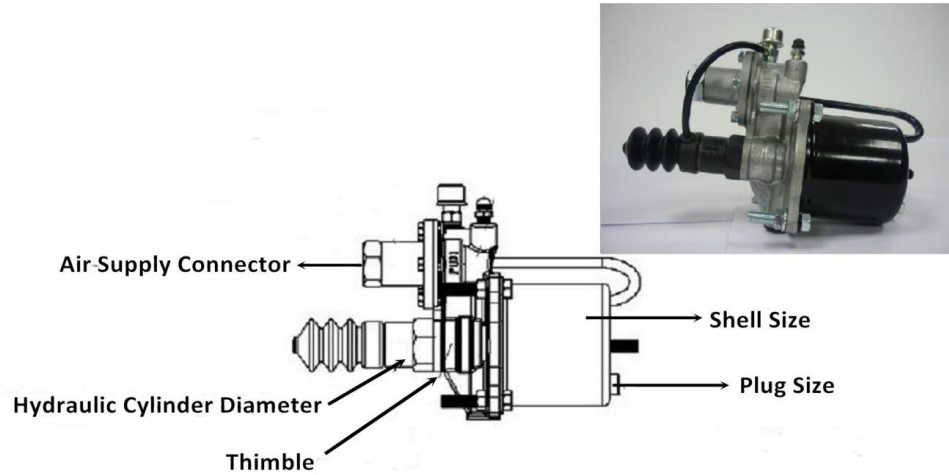
NO.	PART #	Shell Size	Hydraulic Cylinder Diameter (MM)	Plug Size	Air Supply Connector	Thimble	Note
70 MM CLUTCH BOOSTER ASSY (ALUMINUM BODY)							
01	642-03080	70MM	22.2	1/8"-PT	M14-1.5	Ø8	
02	642-03087	70MM	22.2	1/8"-PT	M14-1.5	Ø8	
03	642-03146	70MM	19.8	1/8"-PT	M14-1.5	Ø8	
04	642-09003	70MM	22.2	1/8"-PT	M14-1.5	Ø8	
05	642-09004	70MM	22.2	NO PLUG	M14-1.5	Ø8	
06	642-09008	70MM	22.2	1/8"-PT	M14-1.5	Ø8	
07	642-03458 ME-656040 1-31800-126-0	70MM	22.2	NO PLUG	M14-1.5	Ø8	
08	643-00222	70MM	22.2	NO PLUG	M16-1.5	Ø8	
09	643-00198	70MM	22.2	NO PLUG	M16-1.5	Ø8	
10	643-07019	70MM	22.2	1/8"-PT	M14-1.5	Ø8	
11	643-09006	70MM	19.8	NO PLUG	3/8"	Ø8	
12	642-03212	70MM	19.05	1/8"-PT	M14-1.5	Ø8	



Kai Giu Enterprise Co., Ltd.

3F-2, No. 490, Ta Chin St., NanTun Dist., Taichung city 408, Taiwan
Tel: 886-4-23292393 Fax: 886-4-23292391 Email: kaigiu@ms55.hinet.net

CLUTCH BOOSTER ASSEMBLY



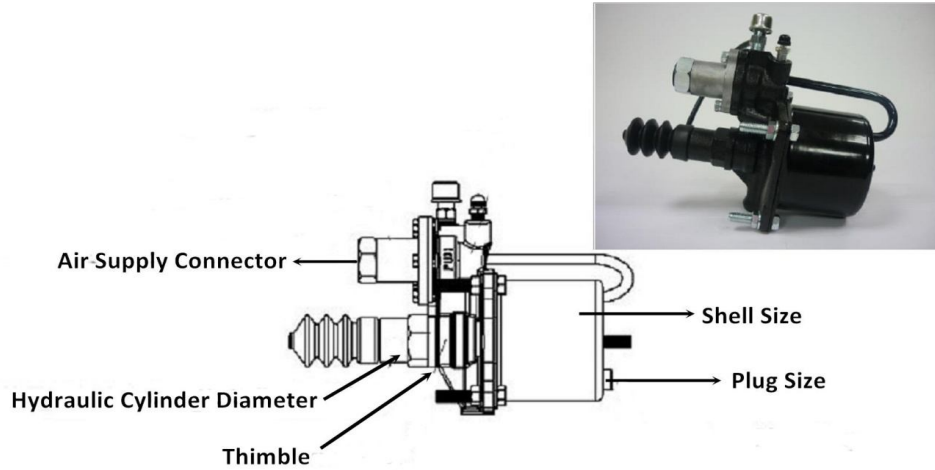
NO.	PART #	Shell Size	Hydraulic Cylinder Diameter (MM)	Plug Size	Air Supply Connector	Thimble	Note
90 MM CLUTCH BOOSTER ASSY (ALUMINUM BODY)							
01	642-03502	90MM	22.2	1/8"-PT	M14-1.5	Ø8	
02	642-03550	90MM	22.2	1/8"-PT	M14-1.5	Ø8	
03	642-03552	90MM	22.2	1/8"-PT	M14-1.5	Ø8	
04	642-03699	90MM	22.2	1/8"-PT	M14-1.5	Ø8	
05	642-05624	90MM	22.2	1/8"-PT	M14-1.5	Ø8	
06	642-09102	90MM	22.2	1/8"-PT	M14-1.5	Ø8	
07	642-09104	90MM	22.2	1/8"-PT	3/8"	Ø8	
08	642-09105	90MM	19.8	1/8"-PT	M14-1.5	Ø8	
09	642-09106	90MM	22.2	NO PLUG	M14-1.5	Ø8	
10	643-09022	90MM	22.2	NO PLUG	3/8"	Ø8	
11	642-03827 ME-651806 ME-657457	90MM	22.2	1/8"-PT	M14-1.5	Ø8	
12	642-03900	90MM	22.2	1/8"-PT	M14-1.5	Ø8	
13	642-03909 ME-657456	90MM	22.2	NO PLUG	M14-1.5	Ø8	
14	642-03839 ME-664452	90MM	19.8	NO PLUG	M14-1.5	Ø8	



Kai Giu Enterprise Co., Ltd.

3F-2, No. 490, Ta Chin St., NanTun Dist., Taichung city 408, Taiwan
Tel: 886-4-23292393 Fax: 886-4-23292391 Email: kaigiu@ms55.hinet.net

CLUTCH BOOSTER ASSEMBLY



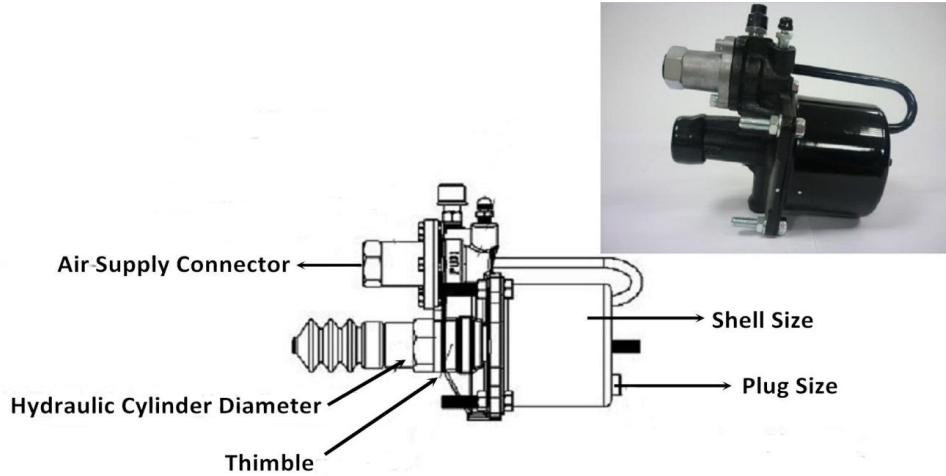
NO.	PART #	Shell Size	Hydraulic Cylinder Diameter (MM)	Plug Size	Air Supply Connector	Thimble	Note
90 MM CLUTCH BOOSTER ASSY (IRON BODY)							
01	642-04579	90MM	22.2	1/8"-PT/N	3/8"	Ø8	
02	642-04610	90MM	19.8	1/8"-PT/N	M14-1.5	Ø8	
03	642-04702	90MM	22.2	1/8"-PT/N	M14-1.5	Ø8	
04	642-09302	90MM	19.8	1/8"-PT	3/8"	Ø8	HINO E13C
05	642-09302A	90MM	19.8	NO PLUG	3/8"	Ø8	
06	642-09305	90MM	22.2	1/8"-PT	3/8"	Ø8	
07	642-09306	90MM	22.2	NO PLUG	M14-1.5	Ø8	
08	642-09307	90MM	19.8	NO PLUG	M14-1.5	Ø8	
09	642-09308	90MM	22.2	1/8"-PT	M14-1.5	Ø10	HINO JO8C
10	642-04761	90MM	19.8	NO PLUG	M14-1.5	Ø10	
11	642-04943	90MM	19.8	NO PLUG	3/8"	Ø10	HINO JO8C S31A0-E0012 HINO S31A0-E0072 HINO 0204796564 BOSCH
12	642-06508	90MM	19.8	NO PLUG	3/8"	Ø10	HINO JO8E 32210-2120 HINO S31A0-E0071 HINO A31A0-E0073 HINO 0204811587 BOSCH 0204827922 BOSCH



Kai Giu Enterprise Co., Ltd.

3F-2, No. 490, Ta Chin St., NanTun Dist., Taichung city 408, Taiwan
Tel: 886-4-23292393 Fax: 886-4-23292391 Email: kaigiu@ms55.hinet.net

CLUTCH BOOSTER ASSEMBLY



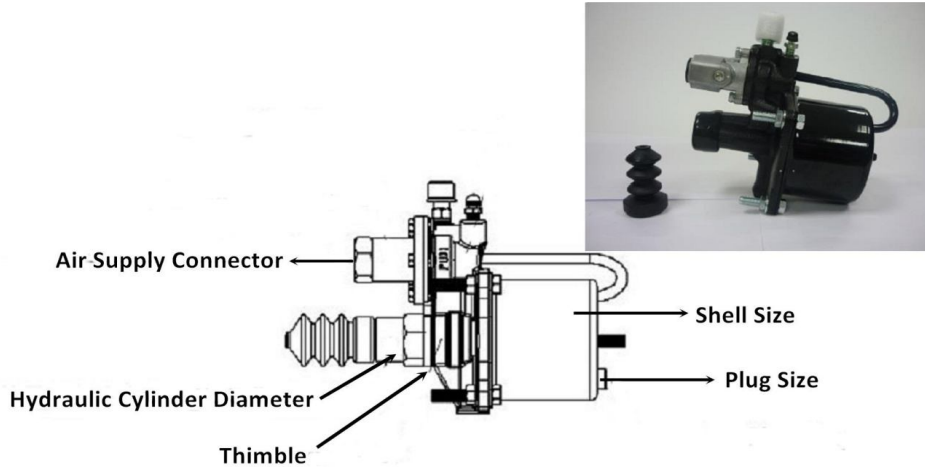
NO.	PART #	Shell Size	Hydraulic Cylinder Diameter (MM)	Plug Size	Air Supply Connector	Thimble	Note
105 MM CLUTCH BOOSTER ASSY (IRON BODY, SINGLE HOLE)							
01	642-03505	105MM	19.8	1/8"-PT	M14-1.5	Ø10	
02	642-05216	105MM	19.8	1/8"-PT	M14-1.5	Ø10	
03	642-05221	105MM	22.2	1/8"-PT	M14-1.5	Ø10	mitsubishi 6D24T
04	642-07141	105MM	19	1/8"-PT/N	3/8"	Ø10	
05	642-09404	105MM	22.2	NO PLUG	3/8"	Ø8	HINO
06	642-09406	105MM	19.8	1/8"-PT	M14-1.5	Ø8	mitsubishi 6D24T
07	642-09407	105MM	22.2	NO PLUG	3/8"	Ø10	HINO 13CTE
08	642-09408	105MM	19.8	NO PLUG	M14-1.5	Ø10	mitsubishi 6D24T
09	642-05150	105MM	19.8	NO PLUG	3/8"	Ø10	



Kai Giu Enterprise Co., Ltd.

3F-2, No. 490, Ta Chin St., NanTun Dist., Taichung city 408, Taiwan
Tel: 886-4-23292393 Fax: 886-4-23292391 Email: kaigiu@ms55.hinet.net

CLUTCH BOOSTER ASSEMBLY



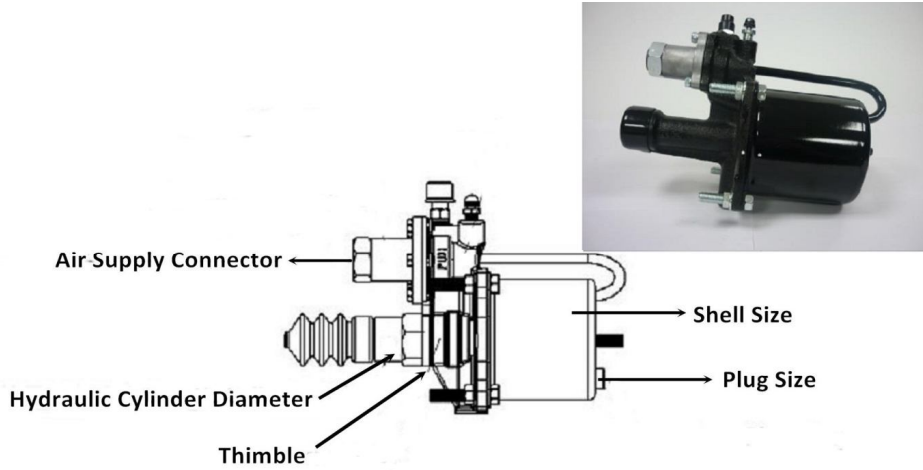
NO.	PART #	Shell Size	Hydraulic Cylinder Diameter (MM)	Plug Size	Air Supply Connector	Thimble	Note
105 MM CLUTCH BOOSTER ASSY (IRON BODY, DOUBLE HOLE)							
01	642-05428	105MM	19.8	1/8"-PT	M14-1.5	Ø10	mitsubishi 6M70
02	642-07083 ME-670179	105MM	19.8	1/8"-PT	M14-1.5	Ø8	mitsubishi 6M70
03	642-05454 (S)	105MM	22.2	1/8"-PT	3/8"	Ø10	HINO E13C
105 MM CLUTCH BOOSTER ASSY (IRON BODY, DOUBLE HOLE, TWO SILENCERS)							
01	642-05454	105MM	22.2	NO PLUG	3/8"	Ø10	HINO E13C S31A0-E0A13 HINO 0204819912 BOSCH
02	642-07314	105MM	22.2	NO PLUG	3/8"	Ø10	HINO E13C S31A0-E0A10 HINO S31A0-E0A13 HINO 0204819912 BOSCH



Kai Giu Enterprise Co., Ltd.

3F-2, No. 490, Ta Chin St., NanTun Dist., Taichung city 408, Taiwan
Tel: 886-4-23292393 Fax: 886-4-23292391 Email: kaigiu@ms55.hinet.net

CLUTCH BOOSTER ASSEMBLY



NO.	PART #	Shell Size	Hydraulic Cylinder Diameter (MM)	Plug Size	Air Supply Connector	Thimble	Note
105 MM CLUTCH BOOSTER ASSY (IRON BODY, LONG)							
01	642-05130	105MM	19.8	1/8"-PT/N	3/8"	Ø10 LONG	
02	642-05134	105MM	19.8	1/8"-PT/N	M14-1.5	Ø10 LONG	
03	642-09400	105MM	22.2	NO PLUG	3/8"	Ø10 LONG	
04	642-09402	105MM	22.2	NO PLUG	3/8"	Ø10 LONG	HINO ISUZU 360 370
05	642-09422 1-31800-386-3	105MM	19.8	NO PLUG	M14-1.5	Ø10 LONG	ISUZU 6WA1
105 MM CLUTCH BOOSTER ASSY (IRON BODY, SEPARATE)							
01	643-09406S	105MM	19.8	1/8"-PT	M14-1.5	Ø10	